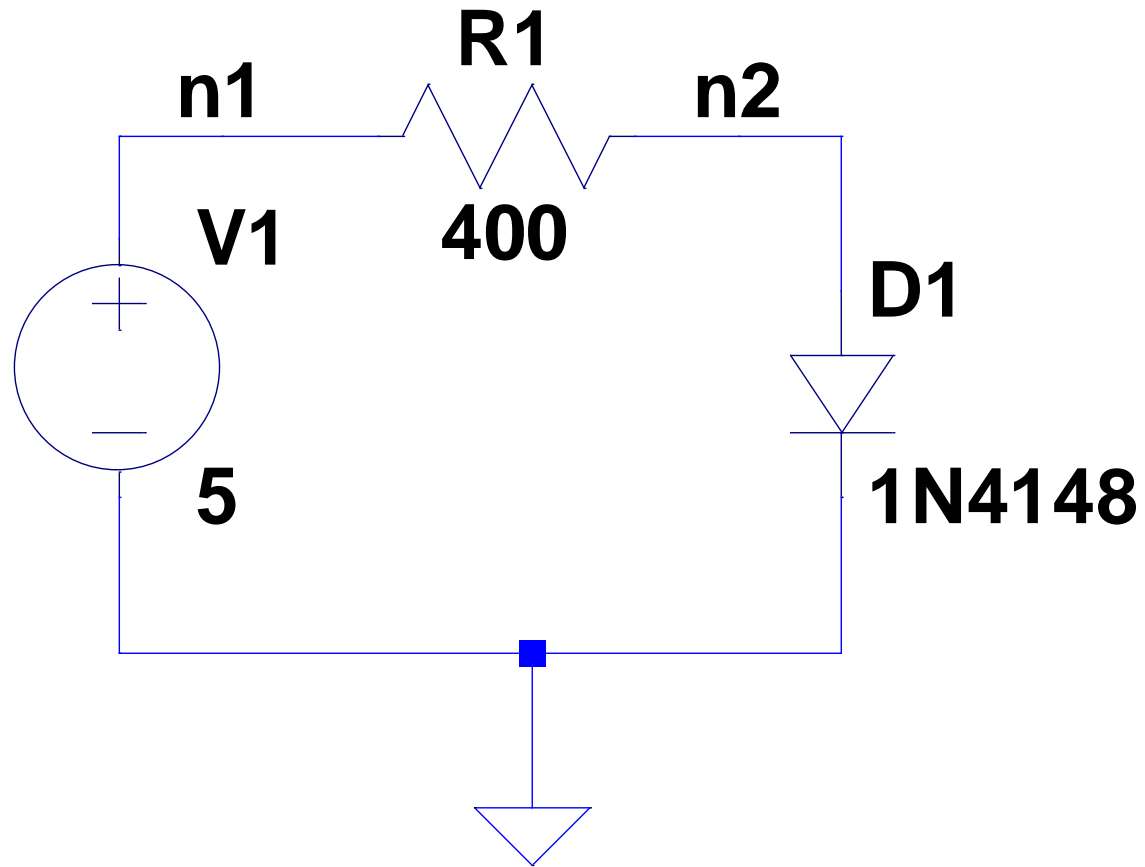
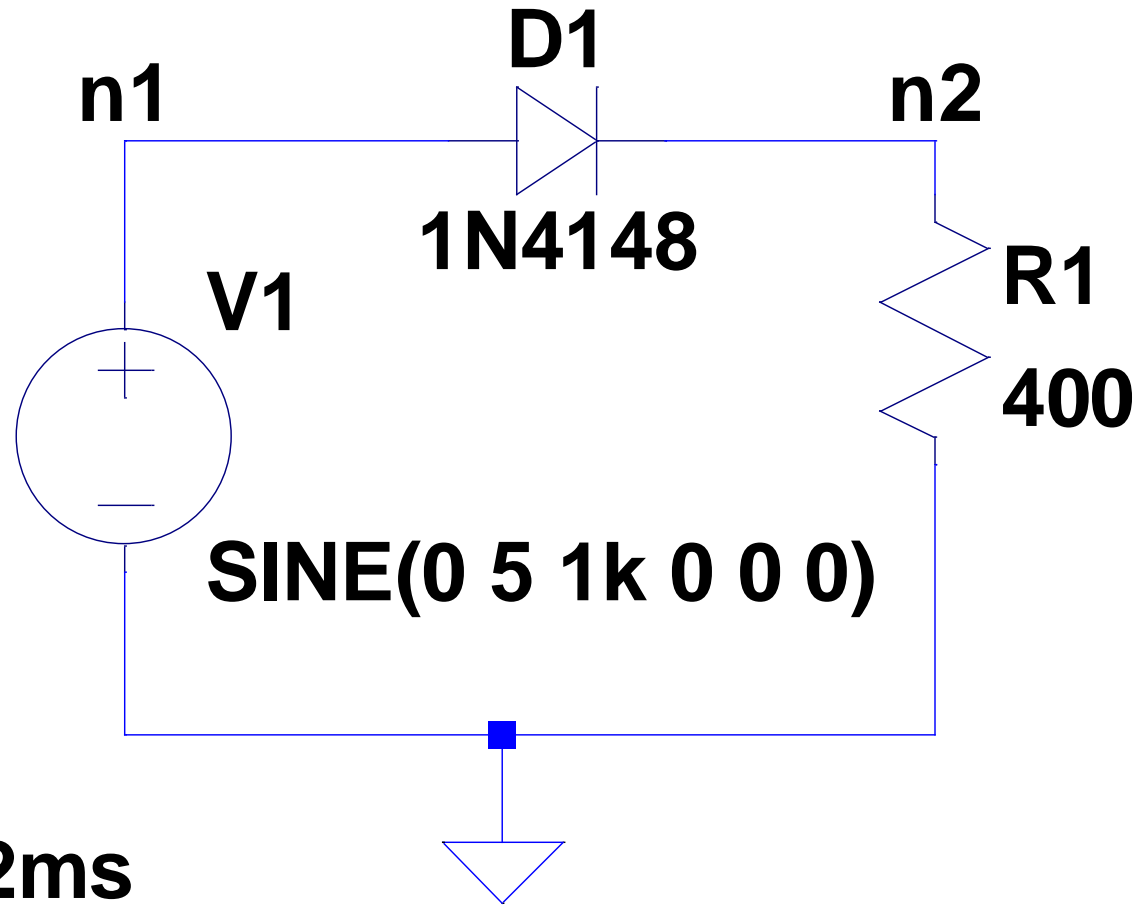


Diode1.asc

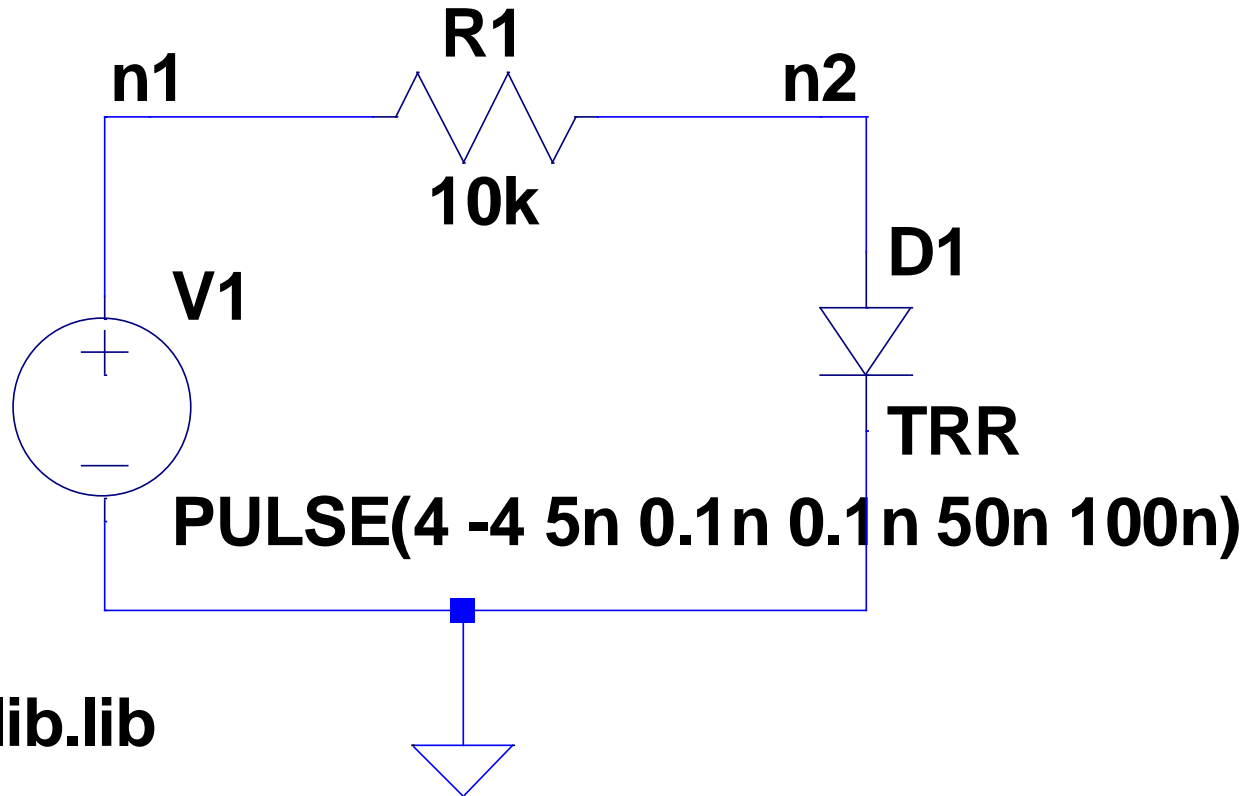


.op

Diode2.asc



Diode3.asc



```
.inc mylib.lib  
.tran 50n
```

Diode Model

* Diode model

.Model TRR D

+ IS=1f TT=30n CJO=1p VJ=0.7 M=0.33

Syntax: .model <modelname> <type>[(<parameter list>)]

SPICE Model Types

Type Associated Circuit Element

SW	Voltage Controlled Switch
CSW	Current Controlled Switch
URC	Uniform Distributed RC Line
LTRA	Lossy Transmission Line
D	Diode
NPN	NPN Bipolar Transistor
PNP	PNP Bipolar Transistor
NJF	N-channel JFET model
PJF	P-channel JFET model
NMOS	N-channel MOSFET
PMOS	P-channel MOSFET
NMF	N-channel MESFET
PMF	P-channel MESFET
VDMOS	Vertical Double Diffused Power MOSFET