

F/6.3 27degHFOV TRIPLET

radius	thickness	mat'l	index	V-no	sa
24.110	3.700	SK4	1.613	58.6	11.4
215.090	4.660	air			11.4
-94.810	1.600	F8	1.596	39.2	7.0
23.760	2.370	air			7.0
	6.760	air			6.6
104.500	3.500	SK4	1.613	58.6	10.7
-63.890	84.126	air			10.7

EFL = 99.95
 BFL = 84.13
 NA = -0.0795 (F/6.3)
 GIH = 50.97 (HFOV=27.02)
 PTZ/F = -2.555
 VL = 22.59
 OD = infinite conjugate

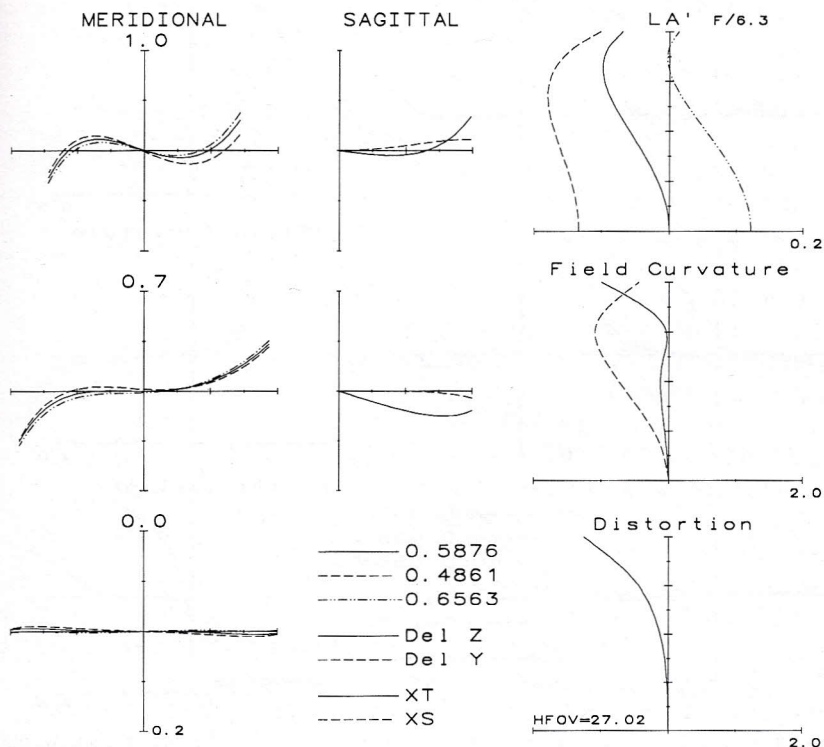
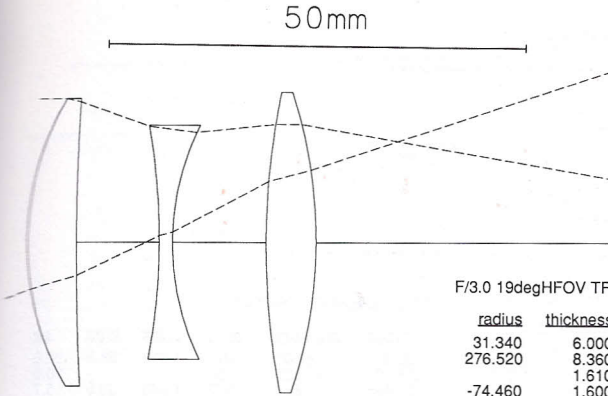


Figure 8.2



F/3.0 19degHFOV TRIPLET

radius	thickness	mat'l	index	V-no	sa
31.340	6.000	SK4	1.613	58.6	16.7
276.520	8.360	air			16.7
	1.610				13.6
-74.460	1.600	F6	1.636	35.3	13.6
30.020	11.190	air			13.6
86.910	6.000	SK4	1.613	58.6	17.4
-53.440	79.084	air			17.4

EFL = 100
 BFL = 79.08
 NA = -0.1667 (F/3.0)
 GIH = 34.40 (HFOV=18.98)
 PTZ/F = -2.47
 VL = 34.76
 OD = infinite conjugate

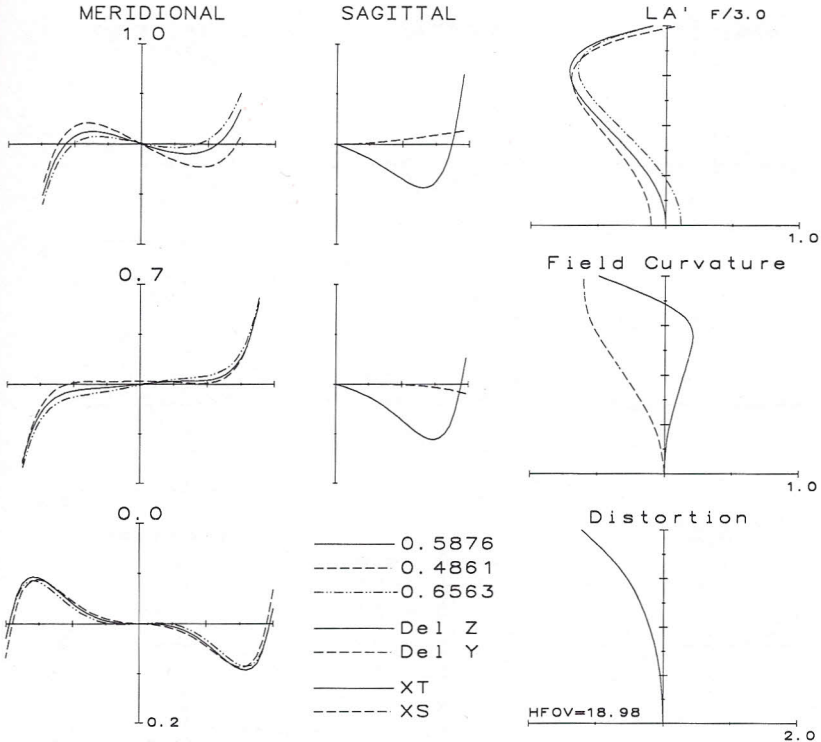


Figure 8.4